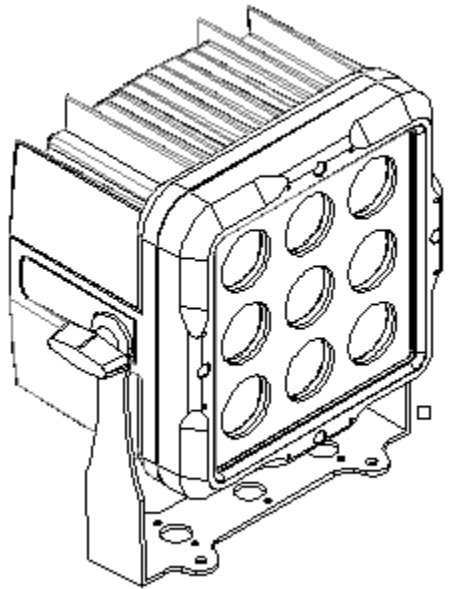




FIRST-PL072

LED Par Light IP65

User Instructions



www.pluslite.eu

Thank you for purchasing the FIRST-PL072. Every FIRST-PL072 has been thoroughly tested and has been shipped in perfect operating condition. Carefully check the shipping carton for damage that may have occurred during shipping. If the carton appears to be damaged, carefully inspect your fixture for any damage and be sure all accessories necessary to operate the unit has arrived intact. In the case damage has been found or parts are missing, please contact the manufacturer or your dealer for further instructions. Do not return this unit to your dealer without first contacting.

Introduction: The FIRST-PL072 is a DMX intelligent LED flash light. This unit can be used as a stand alone, The unit can also be controlled via DMX controller.

Caution! There are no user serviceable parts inside this unit. Do not attempt any repairs yourself; doing so will void your manufactures warranty. In the unlikely event your unit may require service please contact the manufacturer or your dealer.

PLEASE recycle the shipping carton when ever possible.

FIRST-PL072

General Information

To optimize the performance of this product, please read these operating instructions carefully to familiarize you with the basic operations of this unit. These instructions contain important safety information regarding the use and maintenance of this unit. Please keep this manual with the unit, for future reference.

- Multi-Colors
- Color Strobe
- Electronic Dimming 0-100%
- DMX-512 protocol
- Master/Slave synchronization
- Daisy Chain Units Together in DMX mode
- Memory of power-off

The FIRST-PL072 carries a 2 year limited warranty. Please fill out the enclosed warranty card to validate your purchase. All returned service items whether under warranty or not, must be freight pre-paid and accompany a return authorization (R.A.) number. The R.A. number must be clearly written on the out- side of the return package. A brief description of the problem as well as the R.A. number must also be written down on a piece of paper included in the shipping carton. If the unit is under warranty, you must provide a copy of your proof of purchase invoice. You may obtain a R.A. number by contacting our customer support team on our customer support number. All packages returned to the service department not displaying a R.A. number on the outside of the package will be returned to the ship- per.

Power Supply: Before plugging your unit in, be sure the source voltage in your area matches the required voltage for your FIRST-PL072. The FIRST-PL072 is available in a 120v and 220v version. Because line voltage may vary from venue to venue, you should be sure your unit voltage matches the wall outlet voltage before attempting to operate you fixture.

DMX Linking: To ensure proper DMX data transmission, when using several DMX fixtures try to use the shortest cable path possible. The order in which fixtures are connected in a DMX line does not influence the DMX addressing. For example; a fixture assigned a DMX address of 1 may be placed anywhere in a DMX line, at the beginning, at the end, or anywhere in the middle. When a fixture is assigned a DMX address of 1, the DMX controller knows to send DATA assigned to address 1 to that unit, no matter where it is located in the DMX chain.

- Be sure that the local power outlet match that of the required voltage for your unit.
- Do not attempt to operate this unit if the power cord has been frayed or broken. Do not attempt to remove or break off the ground prong from the electrical cord. This prong is used to reduce the risk of electrical shock and fire in case of an internal short.
- Disconnect from main power before making any type of connection.
- Do not remove the cover under any conditions. There are no user serviceable parts inside.
- Never operate this unit when it's cover is removed.
- Never plug this unit in to a dimmer pack.
- Always be sure to mount this unit in an area that will allow proper ventilation. Allow about 6" (15cm) between this device and a wall.
- Do not attempt to operate this unit, if it becomes damaged.

- During long periods of non-use, disconnect the unit's main power.
- Always mount this unit in safe and stable matter.
- Power-supply cords should be routed so that they are not likely to be walked on or pinched by items placed upon or against them, paying particular attention to the point they exit from the unit.
- Cleaning -The fixture should be cleaned only as recommended by the manufacturer. See "Cleaning" for details.
- Heat -The appliance should be situated away from heat sources such as radiators, heat registers, stoves, or other appliances (including amplifiers) that produce heat.
- The fixture should be serviced by qualified service personnel when:
 - A. The power-supply cord or the plug has been damaged.
 - B. Objects have fallen, or liquid has been spilled into the appliance.
 - C. The appliance has been exposed to rain or water.
 - D. The appliance does not appear to operate normally or exhibits a marked change in performance.

IP65 RATED

An IP rated lighting fixture is one, which is commonly installed in outdoor environments and has been designed with an enclosure that effectively water. The **International Protection (IP)** rating system is commonly expressed as "**IP**" (Ingress Protection) followed by two numbers (i.e. IP65) where the numbers define the degree of protection. The first digit (Foreign Bodies Protection) indicates the extent of protection against particles entering the fixture and the second digit (Water Protection) indicates the extent of protection against water entering the fixture. An IP65 rated lighting fixture is one, which has been designed and tested to protect against the ingress of dust (6) and low-pressure water jets from any direction(5).

MARINE/COASTAL ENVIRONMENT INSTALLATIONS!



Please note although this fixture is IP rated, the fixture is **NOT** suitable for marine and/or coastal environment installations. Installing this fixture in a marine and/or coastal environment may cause corrosion and/or excessive wear to the interior and/or exterior components of the fixture. Damages and/or performance issues resulting from installation in a marine and/or coastal environment will void the manufactures warranty and will **NOT** be subject to any warranty claims and/or repairs.

FIRST is the new version and conception of the ParLEDs with a new design.

Its 9 x 15w LEDs allow a high luminous efficiency and furthermore with its being RGBWA + UV it allows to obtain an efficient color changer capable of reproducing real, bright, intense and saturated colours. FIRST is one of the most innovative LED pars, as it offers you a DMX control mode and the ability to create effects with a pleasant view, with its macro, static, fade, jump and pulse multi color functions.

The versatility of FIRST makes it ideal for rental use but also for installations in any entertainment venue.

Technical Specifications

Power supply: AC90-240v,50/60Hz

Power consumption: 168W

Light source: 9x15W RGBWA+UV 6in1 LEDs

DMX Channels: 6/10CH

Control Mode: Auto-run,Master/Slave,Sound-Active,DMX 512

Power supply: CE Power Supply

LED Lifespan: 100,000 hours life expectancy

Beam angle: 30°

Electronic Dimming: 0-100% linear dimmer

Indicators: OLED digital display

Power connector: IP65 power cord

IP65 DMX in/out: 3pin XLR connector

IP65 power in/out: 3pin Seetronics PowerCon connector

Built-in Effect: Macro color, static color, color fade, color jump, color pulse

Housing case: Die-cast Aluminum body

Protection class IP: IP 65

Working temperature: -25°C~+35°C

Dimension: 255(L) x 246(W) x 159.5(H) mm

Weight: 6kg

Carton size: 27x27x38cm(1in1)

Carton size: 57x48x43cm(4in1)

Flightcase size: 57x48x43cm(4in1)

Touch Buttons

There four touch buttons under the LED display: Functions, Enter, Up and Down.

Normally, the LED will display the current DMX address code of the fixture, as like “DMX Address: 001”

At this time, press Mode to enter the main menu; Press Up/Down to scroll in the menu or sub menu options; Press Setup to confirm your selection.

Operating Modes: You can use the FIRST-PL072 in Three ways:

- Auto Mode - The unit will automatically chase through the different colors and built-in programs.
- Slave Mode – The unit will run under slave mode.
- DMX control mode - This function will allow you to control each individual fixtures traits with a standard DMX 512 controller.

DMX Mode

Operating through a DMX controller give the user the freedom to create their own programs tailored to their own individual needs.

1. This function will allow you to control each individual fixture’s traits with a standard DMX 512 controller.
2. The FIRST-PL072 uses 4 to 10 DMX channels to operate. Please see “DMX Values and Functions” for the DMX traits.
3. To run your fixture in DMX mode, plug in the fixture via the XLR connections to any standard DMX controller. Set your desired DMX address following the setup specifications that come with your DMX controller.

Notice: Be sure to follow figures two and three when making your own cables. Do not use the ground lug on the XLR connector. Do not connect the cable’s shield conductor to the ground lug or allow the shield conductor to come in contact with the XLR’s outer casing. Grounding the shield could cause a short circuit and erratic behavior.

DMX Address	001~512				
DMX Mode	4CH				
	6CH				
	10CH				
Stand Alone	Auto Mode	Program 1	Dimmer	000~255	
			Speed	000~255	
		Program 2	Dimmer	000~255	
			Speed	000~255	
		Program 3	
		Program 4	
		Program 5	
	Program 6		
	Macro Color	Color	00~35		
	Static Color	Dimmer	000~255		
		Strobe	000~255		
		Red	000~255		
		Green	000~255		
		Blue	000~255		
		White	000~255		
		Amber	000~255		
	UV	000~255			
	User Color	Color 1	Dimmer	000~255	
			Strobe	000~255	
			Red	000~255	
			Green	000~255	
			Blue	000~255	
			White	000~255	
			Amber	000~255	
			UV	000~255	
		Color 2	
		Color 3	
Color 4			
Color 5			
Color 6			

	Output Set	Standard	normal output	
		Full	high power output	
	Slave Send	ON	allowed to host	
		OFF	Prohibited as a host	
Settings	Display Light	ON	The display is always on	
		OFF	The display goes off after 1 minute	
	DMX Fail	Blackout	DMX exits, output closes	
		Hold	DMX exit, keep last 1 state	
	Dimmer Curve	Linear	linear dimming	
		Exponential	Exponential dimming	
		Logarithmic	logarithmic dimming	
		S Curve	S type dimming	
	AutoLock	ON	The screen locks after 30 seconds, Screen unlock: UP-DOWN-UP-DOWN-MENU-ENTER	
		OFF	turn off screen lock	
	IR Remote	ON	Turn on the infrared receiver	
		OFF	Turn off infrared receiver	
	DisplayReverse	ON	The display flips to show	
		OFF	The display shows normally	
	Factory Reset	NO	closure	
		YES	SURE	ENTER key to enter the system to restore the factory settings
System Info	Firmwer	V1.0	software version number	
	Total Run Time	0Hrs	Total lamp run time	
	Temperature	xx°C	lamp temperature	

4CH Mode:			
Channel	Function	Values	Description
1	Dimmer	000~255	Dimming 0%~100%
2	Strobe	000~255	Strobe 0~30HZ
3	Multifunction	000~005	Color OFF
		006~010	Macro Color 1
		011~015	Macro Color 2
		016~020	Macro Color 3
		021~025	Macro Color 4
	
		171~175	Macro Color 34
		176~180	Macro Color 35
		181~192	Program 1
		193~204	Program 2
		205~216	Program 3
		217~228	Program 4
229~240	Program 5		
241~255	Program 6		
4	Mode Speed	000~255	Speed Slow->Fast

6CH Mode:			
Channel	Function	Values	Description
1	Red	000~255	Dimming 0%~100%
2	Green	000~255	Dimming 0%~100%
3	Blue	000~255	Dimming 0%~100%
4	White	000~255	Dimming 0%~100%
5	Amber	000~255	Dimming 0%~100%
6	UV	000~255	Dimming 0%~100%

10CH Mode:			
Channel	Function	Values	Description
1	Dimmer	000~255	Dimming 0%~100%
2	Strobe	000~255	Strobe 0~30HZ
3	Multifunction	000~005	Color Dimming
		006~010	Macro Color 1
		011~015	Macro Color 2
		016~020	Macro Color 3
		021~025	Macro Color 4
	
		171~175	Macro Color 34
		176~180	Macro Color 35
		181~192	Program 1
		193~204	Program 2
		205~216	Program 3
		217~228	Program 4
		229~240	Program 5
241~255	Program 6		
4	Mode Speed	000~255	Speed Slow->Fast
5	Red	000~255	Dimming 0%~100%
6	Green	000~255	Dimming 0%~100%
7	Blue	000~255	Dimming 0%~100%
8	White	000~255	Dimming 0%~100%
9	Amber	000~255	Dimming 0%~100%
10	UV	000~255	Dimming 0%~100%

Macro	R	G	B	W	A	UV
0	0	0	0	0	0	0
1	255	0	0	0	0	0
2	0	0	0	0	255	0
3	120	150	0	0	255	0
4	0	255	0	0	0	0
5	0	120	255	0	0	0
6	0	0	255	0	0	0
7	135	0	255	0	0	0
8	255	0	130	0	0	0
9	0	255	0	0	115	0
10	0	0	0	255	0	0
11	255	25	0	0	0	0
12	255	50	0	0	0	0
13	255	50	0	0	130	0
14	255	50	0	0	255	0
15	255	115	0	0	255	0
16	175	115	0	0	255	0
17	0	54	0	0	255	0
18	0	100	0	0	255	0
19	0	150	0	0	255	0
20	0	255	0	0	255	0
21	0	255	15	0	0	0
22	0	255	40	0	0	0
23	0	255	95	0	0	0
24	0	255	150	0	0	0
25	0	255	255	0	0	0
26	0	50	255	0	0	0
27	0	0	255	0	135	0
28	0	0	255	0	255	0
29	255	0	255	0	0	0
30	255	0	40	0	0	0
31	0	0	60	255	0	0
32	0	0	130	255	0	0
33	0	0	255	255	0	0
34	0	0	255	130	0	0

Due to fog residue, smoke, and dust cleaning the internal and external optical lenses must be carried out periodically to optimize light output.

Use normal glass cleaner and a soft cloth to wipe down the outside casing.

Clean the external optics with glass cleaner and a soft cloth every 20 days.

Always be sure to dry all parts completely before plugging the unit back in.

Cleaning frequency depends on the environment in which the fixture operates (i.e. smoke, fog residue, dust, dew).

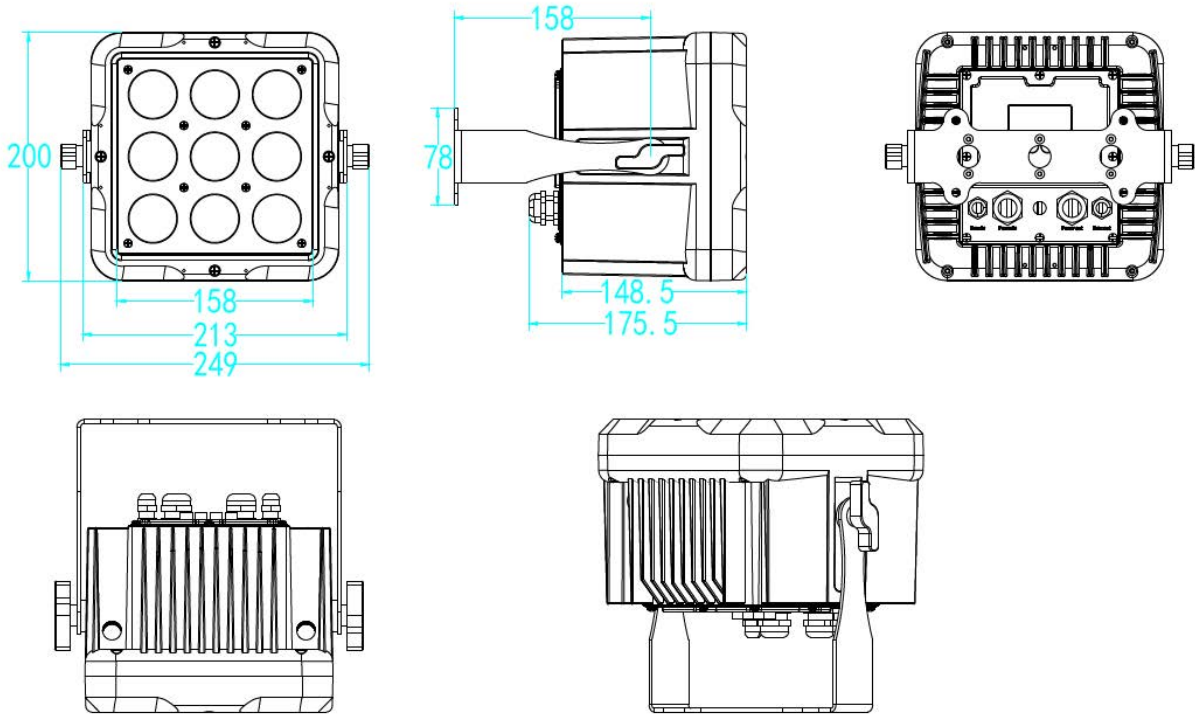
Trouble Shooting

Listed below are a few common problems the user may encounter, with solutions.

Unit not respond to DMX:

Check that the DMX cables are connected properly and are wired correctly (pin 3 is “hot”; on some other DMX devices pin 2 may be ‘hot’). Also, check that all cables are connected to the right connectors; it does matter which way the inputs and outputs are connected.

***NOT TO SCALE**



Model: FIRST-PL072

Voltage:	90V ~ 240V/50~60Hz
LEDs:	9x15w 6IN1 Brighter LED
IP Rating:	IP65
Working Position:	Any safe working position
Power Draw:	168W
Colors:	Red, Green, Blue and White, Amber, , Stepless Color Mix
Weight:	6 Kgs.
Dimensions:	255(L) x 246(W) x 1659.5H) mm
Led Beam angle:	30°
DMX Channels:	4/6/10CH DMX512 control channels
Warranty:	2 Years

Please Note: Specifications and improvements in the design of this unit and this manual are subject to change without any prior written notice



www.pluslite.eu