



PL083 PLUSBAT
Battery Light
IP54

- A professional battery light can be widely used in indoor and outdoor where you can't use strong current. (Light: IP65, Charging base: IP54)
- Color change is natural, with better color mixing
- DMX512 protocol and RDM function
- This fixture can be widely used in hotel, banquet, indoor and outdoor exhibition and other places.



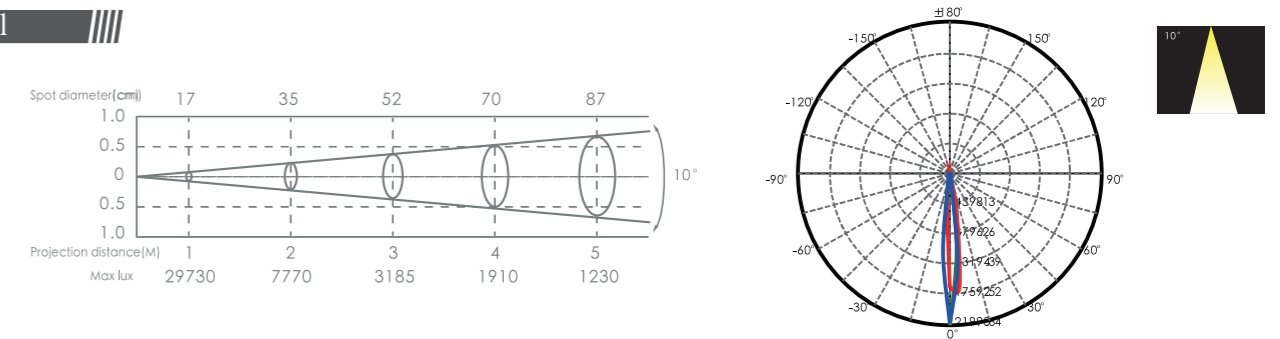
Housing color ■■■



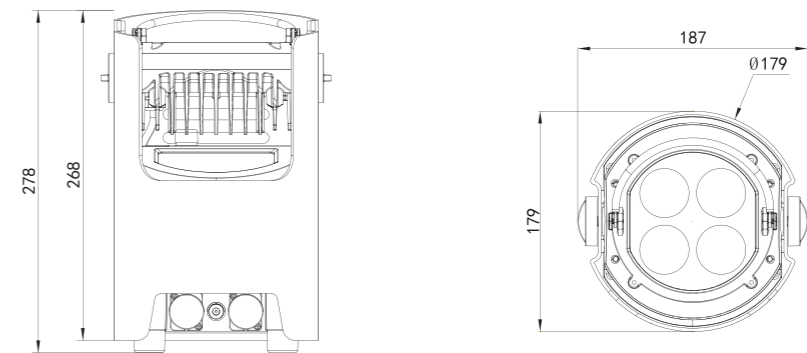
Parameters

LED Qty	4*12W 4 in 1 RGBW	Dimensions	187x179x278mm
Lumen	1315lm	N.W.	7Kg
Beam angle	10°	Housing material	Die-cast aluminium
Input voltage	24V with charging base and/or charging flight case	DMX cable	Seetronic 3pins waterproof DMX input/output
Power	75W	Housing color	Black
Drive current	1A	Electrical safety	Class I
Dimming	16Bit	EMC	EMC, EMI
Cooling	Natural convection cooling	Temperature	-20°C~45°C
Control protocol	DMX512, Wireless DMX	IP Grade	IP54
DMX channel	4CH, 6CH, 9CH	Function	Auto Run program, Auto Run effect, upgrade online, power management, change angle quickly

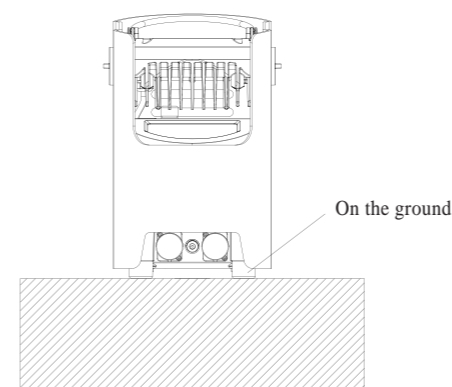
Optical



Specifications



Installation Instruction



Optional accessories

