

10. Maintenance Cleaning

The following points have to be considered during the inspection:

- 1) All screws for installing the devices or parts of the device have to be tightly connected and must not be corroded.
- 2) There must not be any deformations on the housing, color lenses, fixations and installation spots (Ceiling, suspension, trussing)
- 3) Mechanically moved parts must not show any traces of wearing and must not rotate with unbalances.
- 4) The electric power supply cables must not show any damage, material fatigue or sediments

Further instructions depending on the installation spot and usage have to be adhered to by a skilled installer and any safety problems have to be removed.



CAUTION!

Disconnect from mains before starting maintenance operation.

In order to maintain the lights in good condition and extend their life time, we suggest a regular cleaning of the lights.

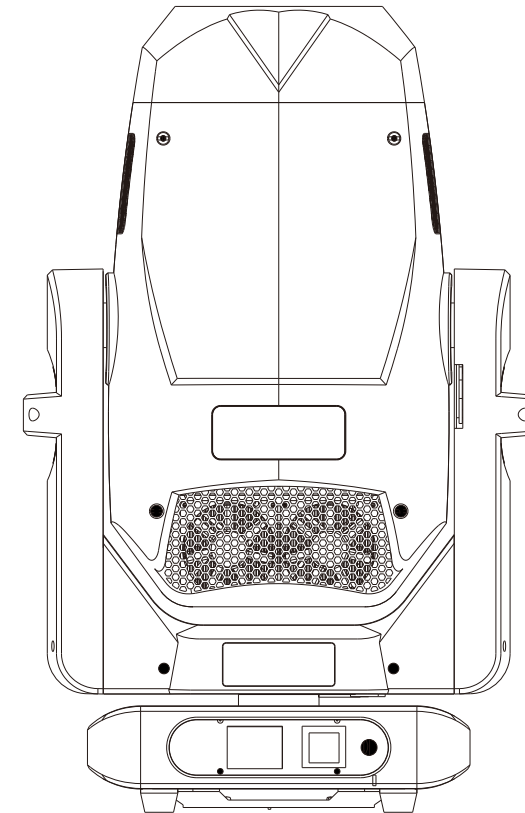
- 1) Clean the inside and outside lens each week to avoid the weakness of the lights due to accumulation of dust.
- 2) Clean the fan each week.
- 3) A detailed electric check by an approved electrical engineer every three months, make sure the circuit contacts are in good condition, prevent the poor contact of circuit from overheating.

We recommend a frequent cleaning of the device. Please use a moist, lint-free cloth. Never use alcohol or solvents.

There are no serviceable parts inside the device. Please refer to the instructions under Installation instructions.

PLUSlite

VERO 1000 BSWP - PL1000



USER MANUAL

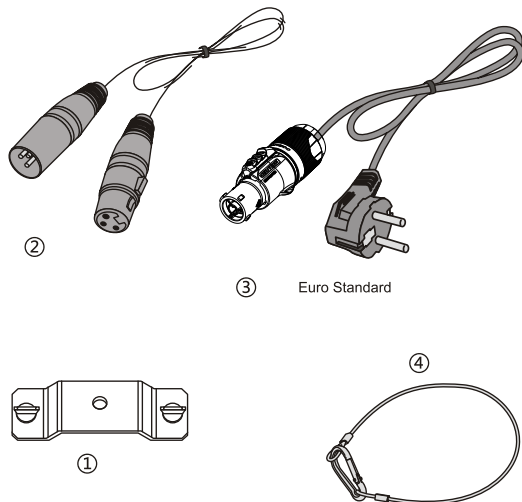
1. Unpacking

Thank you for choosing VERO 1000 BSWP. For your own safety, please read this manual before installing the device. This manual covers the important information on installation and applications. Please operate the fixture with following instructions. Meanwhile, please keep this manual well for future need.

The VERO 1000 BSWP is made of new type of high temperature strength of engineer plastics and cast aluminum casing with nice outlook. The fixture is designed and manufactured strictly following CE standards, complying with international standard DMX 512 PROTOCOL. It's available independently controlled and linkable with each other for cooperation. And it is applicable for large-scale live performance, theater, studio, nightclubs and disco.

VERO 1000 BSWP adopts powerful 1000W LED which features high brightness and stability. Please carefully unpack it when you receive the fixture and check whether it is damaged during the transportation. And please check whether the following items are including inside the box:

Moving head light -----One
Omega -----Two
Signal Cable -----One
Power Cable -----One
Safety Wire -----One
User Manual -----One



FEATURE

- Prism: 2 pcs interchangeable, indexable prisms (4 facet prism+linear prism), prism angel can option
- Iris: Linear adjustable with macro
- Frost: Soft edge frost and flood frost
- Focus: DMX 512 linear focus
- Dimmer: 0-100% linear dimmer
- Strobe: Electronic strobe, 0.3-20Times/SEC
- Zoom: Smooth and fast speed
- Angle: 5°-55° linear adjustment
- Animation Wheel: 1 x interchangeable disc, clockwise and counter-clockwise rotation at variable speed.

CONTROL AND PROGRAMMING

- Standard mode : 41/30 channels
- Control mode: DMX512, Protocols RDM, Wireless and Art-Net
- Display: Graphic LCD Display.
- Display battery: AAA, 3.7V rechargeable lithium ion battery
- Firmware update Software: upload through DMX input.

FRAMING SYSTEM

- Motorized framing system with 4 focal planes
- 4 Blades that move separately
- Smooth, flexible blade movements at variable speed
- Framing system indexable 180 degrees

OTHER FUNCTION

- Show software version number
- Intelligent control of wind speed
- Display lamps and lanterns use time
- 100% brightness without stroboscopic problem
- Manual programming function
- Manual fine calibration function

POWER

- Input voltage: 100V~264V AC 50/60Hz
- Rate power: 1360W@220V

HOUSING

- Intellectual property rights of appearance and structure design
- Environmentally friendly flame retardant materials
- High temperature resistant engineering plastics

IP GRADE

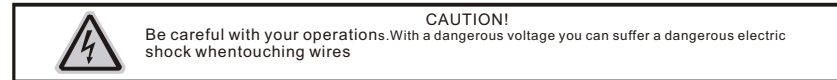
- IP: 20

DIMENSION AND WEIGHT

- Product size, base: 360 x 338 (mm)
- Product size, pan/tilt 0°: 758 x 488 (mm)
- Product size, pan/tilt 90°: 603 x 565 (mm)
- Carton size: 895 x 605 x 470 (mm)
- Flight case size(1in1): 660 x 630 x 830 (mm)
- Net weight: 34KG

32		Frame 2A	0~255	
33		Frame 2B	0~255	
34		Frame 3A	0~255	
35		Frame 3B	0~255	
36		Frame 4A	0~255	
37		Frame 4B	0~255	
38		Frame angle	0~7	No effect
			8~239	Angle
			240~255	Rotate left and right
39		Frame macro	0~3	No effect
			4~7	Effect 1
			8~11	Effect 2
			...	Effect ...
			252~255	Effect 63
40	29	Scan speed	0~255	Fast to slow
41	30	Reset	0~19	NC
			20~29	Reset all
			30~39	Reset pan,tilt
			40~49	Reset colour,gobo,CMY,CTO
			50~59	Reset zoom,focus,prism,frost
			60~69	Reset flame,iris,frame
			70~74	Display default
			75~79	Display off(don't Keep after shutdown)
			80~84	Display on(don't Keep after shutdown)
			85~89	Fan speed low(Keep after shutdown)
			90~94	Fan speed medium(Keep after shutdown)
95~99	Fan speed high(Keep after shutdown)			
				Please hold the value for more than 8 seconds to take effect,and then return to 0 to avoid repeated activation.

2.Safety instructions



This device has left the factory in perfect condition. In order to maintain this condition to ensure a safe operation, it is absolutely necessary for the user to follow the safety instructions and warning notes written in this user manual.

If the device has been exposed to temperature change due to environmental changes, do not switch it on immediately. The arising condensation could damage the device. Leave the device switched off until it has reached room temperature.

3. Operate on instruction

- The moving head is for beam spot wash effect for onsite decoration purpose.
- Don't turn on the fixture if it's been through severe temperature difference like after transportation, because it might damage the light due to the environment changes.
- So make sure to operate the fixture until it is normal temperature.
- This light should be kept away from strong shaking during any transportation or movement.
- Don't pull up the light by only the head, or it might cause damages to the mechanical parts.
- Don't expose the fixture in overheat, moisture or environment with too much dust when installing it.
- And don't lay any power cables on floor. Or it might cause electronic shock to the people.
- Make sure the installation place is in good safety condition before installing the fixture.
- Make sure to put the safety chain and check whether the screws are screwed properly when installing the fixture.
- Make sure the lens are in good condition. It's recommended to replace the units if there are any damages or severe scratch.
- Make sure the fixture is operated by qualified person who knows the fixture before using.
- Keep the original packages if any second shipment is needed.
- Don't try to change the fixtures without any instruction by the manufacturer or the appointed repairing agencies.
- It is not in warranty range if there are malfunctions from not following the user manual to operate or any illegal operation, like shock short circuit, electronic shock, lamp broke, etc.

9.Specification

OPTICS

- Light Source : 1000W White LED Module
- Lumen: 40,000
- Lifetime: 50000 Hours
- Color temperature: 6500K/7000K
 - CRI: at least 70, CT 6500K
 - CRI: at least 90, CT 7000K

MOVEMENT

- Pan movement: 540° (16 bit)
- Tilt movement : 270° (16 bit)
- Automatic reset function

COLORS

- Linear CMY+CTO
- Colors wheel: 1+5 colors

GOBOS

- Gobos wheel: 1 pcs rotation Gobo wheel + 1 pcs fixed Gobo wheel
- Animation wheel

4. Mounting and Installation

Cautions:

For added protection mount the fixture in areas outside walking paths, seating areas, or in areas where the fixture might be reached by unauthorized personnel. Before mounting the fixture to any surface, make sure that the installation area can hold a minimum point load of 10 times the device's weight.

Fixture installation must always be secured with a secondary safety attachment, such as an appropriate safety cable.

Never stand directly below the device when mounting, removing, or serving the fixture from a ceiling, or set on a flat level surface (see illustration below). Be sure this fixture is kept at least 0.5m (1.5ft) away from any flammable materials (decoration etc.).

Always use and install the supplied safety cable as a safety measure to prevent accidental damage and/or injury in the event the clamp fails.

Mounting points:

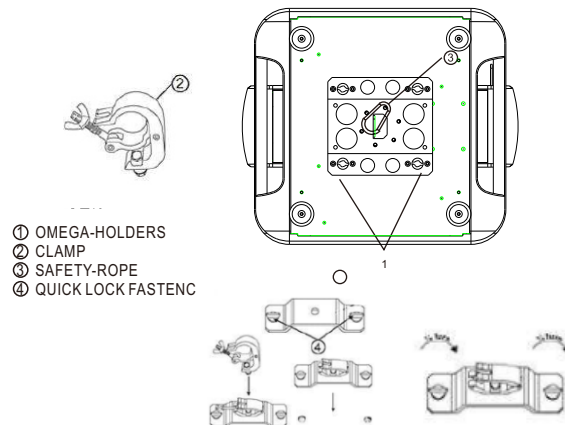
Overhead mounting requires extensive experience, including amongst others calculating working load limits, a fine knowledge of the installation material being used, and periodic safety inspection of all installation material and the fixture.

If you lack these qualifications, do not attempt the installation yourself. Improper installation can result in bodily injury.

Be sure to complete all rigging and installation procedures before connecting the main power cord to the appropriate wall outlet.

Clamp mounting:

The VERO 1000 BSWP provides a unique mounting bracket assembly that integrates the bottom of the base, the included OMEGA BRACKET, and the safety cable rigging point in one unit (See the illustration below). When mounting this fixture to truss, be sure to secure an appropriately rated clamp to the included omega bracket using a M10 screw fitted through the center hole of the OMEGA BRACKET.



			0-3	No effect
			4-123	Rotating gobo angle
12	12	Gobo rotation	124-187	Rotate left
			188-191	Stop
			192-255	Rotate right
13	13	Dimmer	0-255	
14	14	Dimmer fine	0-255	
			0-3	Open
			4-67	Strobe 1
			68-99	Strobe 2
15	15	Strobe	100-131	Strobe 3
			132-175	Strobe 4
			176-247	Strobe 5
			248-251	Random strobe1
			252-255	Random strobe2
			0-63	Refresh rate 1200 auto
16	16	Dimmer mode	64-127	Refresh rate 1200 fast
			128-191	Refresh rate 13672 auto
			192-255	Refresh rate 13672 fust
17	17	Prism 1	0-31	No prism
			32-255	Prism 1 on
			0-3	Prism stop
			4-123	Prism angle
18	18	Prism 1 rotation	124-187	Rotate left fast to slow
			188-191	Stop
			192-255	Rotate right slow to fast
19	19	Prism 2	0-31	No prism
			32-255	Prism 2 on
			0-3	Prism stop
			4-123	Prism angle
20	20	Prism 2 rotation	124-187	Rotate left
			188-191	Stop
			192-255	Rotate right
21	21	Zoom	0-255	
22	22	Zoom fine	0-255	
23	23	Focus	0-255	
24	24	Focus fine	0-255	
			0-127	Open to close
			128-135	Close
25		Iris open	136-173	Iris movement 1
			174-211	Iris movement 2
			212-249	Iris movement 3
			250-255	Close
26	25	Frost 1	0-9	No effect
			10-255	Liner frost
27	26	Frost 2	0-9	No effect
			10-255	Liner frost
28	27	Animation wheel	0-31	Flame OFF
			32-255	Flame 0-100%
			0-151	Flame angle
29	28	Animation rotation	152-247	Flame rotate
			248-255	Flame stop
30		Frame 1A	0-255	
31		Frame 1B	0-255	

Note:

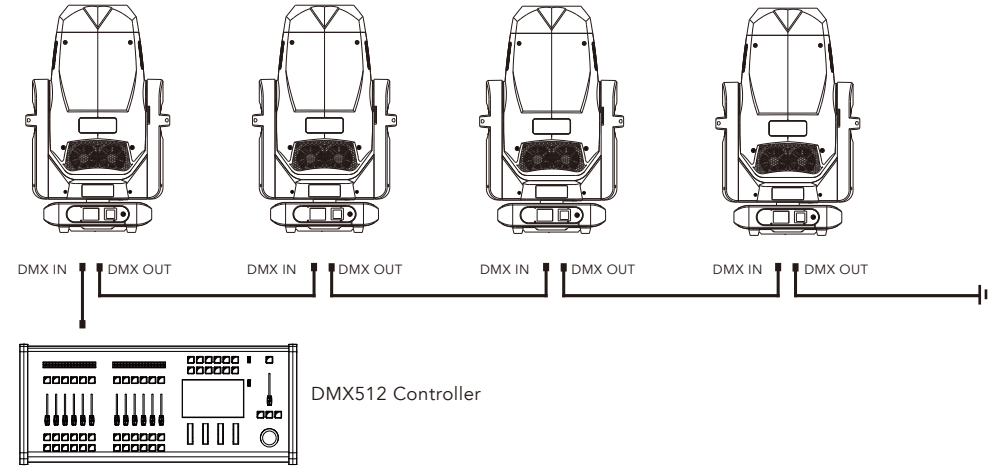
1. Above all projects to the actual lighting shall prevail, no notice if there is further modification;
2. The programming function provides only a very limited operation, in the case of no control units to use. Generally do not recommend the use of manual programming;
3. In the absence of the DMX512 signal, only need to set up first items, namely the address code can be used lamps.

8. 41/30 Control Channels

1	1	Pan	0~255				
2	2	Pan fine	0~255				
3	3	Tilt	0~255				
4	4	Tilt fine	0~255				
5	5	Colour wheel	0~7	No colour			
			8~15	Colour1			
			16~23	Colour2			
			24~31	Colour3			
			32~39	Colour4			
			40~47	Colour5			
			48~63	No colour			
			64~221	Colour Arbitrary positioning			
			222~239	Rotate left			
			240~255	Rotate right			
6	6	Cyan	0~255				
7	7	Magenta	0~255				
8	8	Yellow	0~255				
9	9	Colour temperature	0~255				
10	10	Fixed gobo	0~7	No gobo			
			8~15	Gobo1			
			16~23	Gobo2			
			24~31	Gobo3			
			32~39	Gobo4			
			40~47	Gobo5			
			48~55	Gobo6			
			56~71	No gobo			
			72~143	Gobo Arbitrary positioning			
			144~199	Rotate left			
			200~255	Rotate right			
			11	11	Rotating gobo	0~8	No gobo
						9~17	Gobo1
18~26	Gobo2						
27~35	Gobo3						
36~44	Gobo4						
45~53	Gobo5						
54~62	Gobo6						
63~71	No gobo						
72~135	Gobo Arbitrary positioning						
136~195	Rotate left						
196~255	Rotate right						

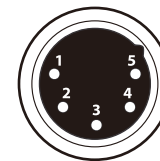
5. DMX 512 Control connection

Connect the provide XLR cable to the female 5 pin XLR Output of your control and the other side to the male 5-pin XLR input of the moving head, You can chain multiple Moving head together through serial linking. The cable needed should be two core, screened canle with XLR input and output connectors. Please refer to the diagram below. DMX-512 Connection with DMX terminator.

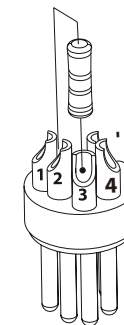


For installations where the DMX cable has to run a long distance or is in an electrically noisy environment such as in a disco, it is recommended to use a DMX terminator. This helps in preventing corruption of the digital control signal by electrical noise. The DMX terminator is simply an XLR plug with a 120 resistor connected between pins 2 and 3, which is then plugged into the output XLR Socket of the last fixture in the chain. Please see illustrations.

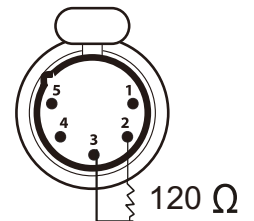
DMX - INPUT XLR plug



- Pin1 : GND - Shield
- Pin2 : - Signal
- Pin3 : + Signal
- Pin4 : N/C
- Pin5 : N/C

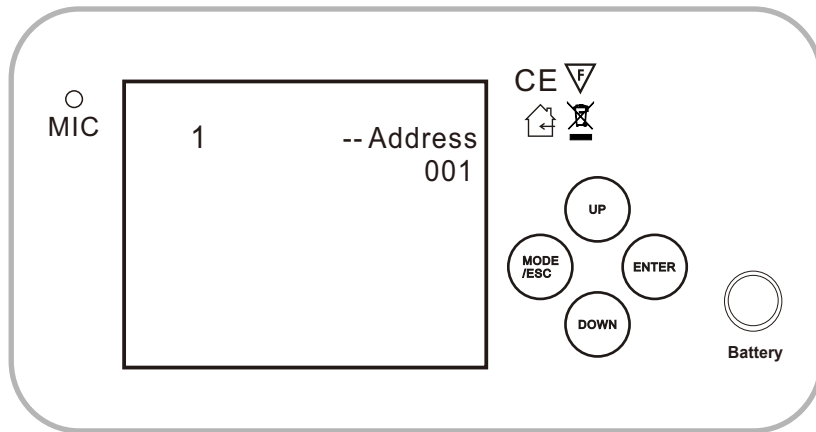


DMX - OUTPUT XLR socket

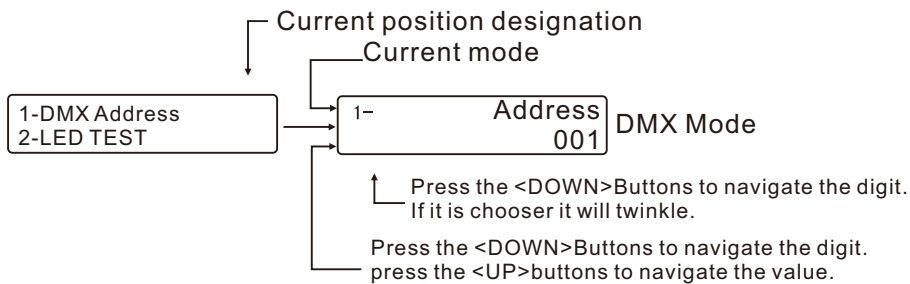


The control Display

6. Top menu, present the current operation



Press the <UP> or <DOWN> button repeatedly until you reach the desired menu function. Press the <ENTER> button to select the menu function currently displayed, or to enable menu option. To return to the previous option or menu without changing the value, press the <MODE/ESC> button.



Power on the moving head light, press the <MODE/ESC> or <ENTER> button, no any movement.

Press the Battery button to set the DMX address. Please use **AAA, 3.7V rechargeable lithium ion battery**, don't use others. Ni-MH batteries, lithium iron phosphate batteries, non-rechargeable batteries, and lithium batteries of other voltages cannot be placed, otherwise, it may cause an explosion after charging.

7. Menu for Control Display

MASTER PROJECT		INSTRUCTION FR USE	
INFORMATION	ADDRESS	1~512	
	RUNTIME	TIME	
	VERSION		
	TEMPERATURE	MAIN BOARD LIGHT SOURCE	
	FAN SPEED		
	ERROR MESSAGE		
SETTING	RESET	REBOOT DEFAULT DATA	
	CHANNEL SET	41/30	
	SIGNAL	DMX512/ARTNET/PROGRAM	
	OFFLINE SET	HOME/HOLD	
	FAN MODE	NORMAL/PERFORMANCE/QUIET	
	WIRELESS SET	ON/OFF	
	ADJUST		
	ARTNET SET		IP address
			Subnet mask
			Universe
LAMP	AUTO ON	NC	
	LIGHT UP	NC	
	LAMP ADJUST	NC	
	LAMP FAIL	NC	
DISPLAY	LANGUAGE	ENGLISH/CHINESE	
	BACKLIGHT	ON/OFF/FLASH	
	REVERSE	ON/OFF/AUTO	
USER	SETTING LOCK	Input code	
	KEY LOCK	ON/OFF	
	TEST	ON/OFF	
	PROGRAM		SELECT PROGRAM 1~8
		PROGRAM 1~8	