

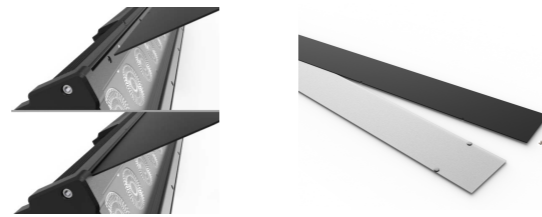


PL005A LINEAR

Waterproof LED Pixel Bar wall washer OLED SCREEN IP65



- LINEAR is a professional outdoor LED Pixel Bar Wall Washer with OLED display and a complete variety of programs and effects.
- RGBWA+UV 6in1 DMX512 protocol
- This fixture can be widely used in hotel, banquet, indoor and outdoor exhibition and other places.
- LINEAR has include the flexiable holder in different directions 180 degree. optional the barndoor and various filter diffuser 70% ~85%, diffuser 2 angle change 60×15° or 15×60°



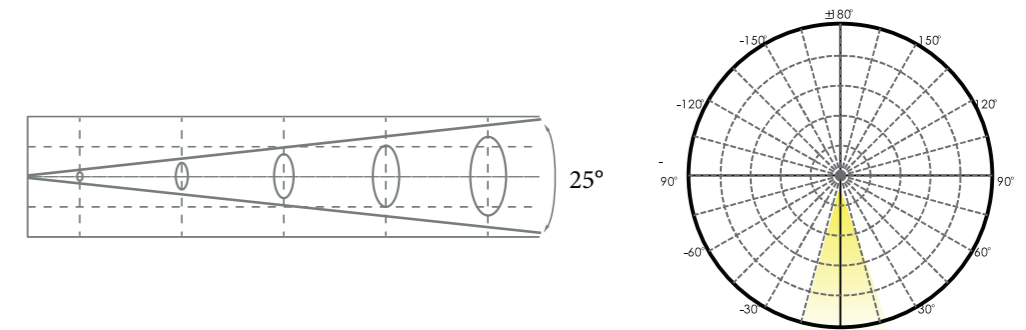
Housing color ■



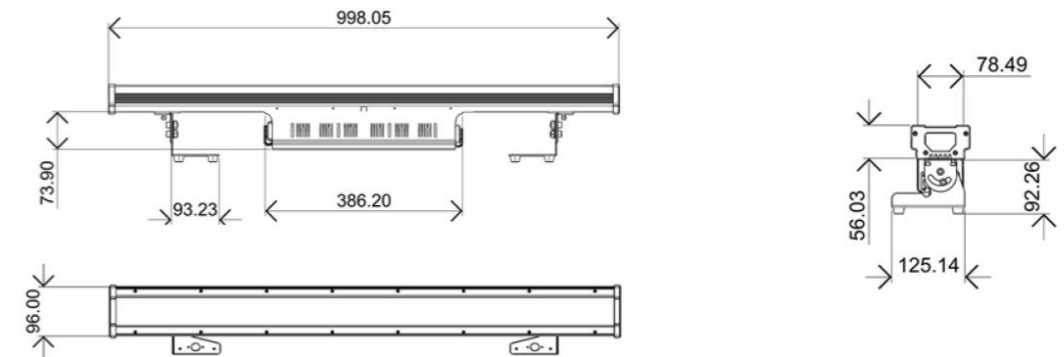
Parameter

LED Qty	18*15W	Dimensions	L100x W12.5 x H15cm
LED Type	6in1 LED RGBWA+UV Pixel Color	N.W.	9.5 Kg
Beam angle	25°	Housing material	Die-cast aluminium
Input voltage	AC100-240V/50-60Hz	Housing color	Black
Power	270W	Power cable	/3pins waterproof
Cooling	Natural convection cooling	DMX cable	DMX input/output
Control mode	Auto-run,Master/Slave,Sound-Active, DMX 512	EMC	EMC CE
DMX channel	6/8/11/108/110 CH	T°Operativity	-30°C~40°C
Built in effect	Single pixel, strobe, dimmer, auto, static, macro, sound	IP Grade	IP65

Optical



Drawing



Layout

IP65 Locking Power
Connection In/Out
IP65 Locking Signal

OLED Display
Mode button
Up button
Down button

