



PL020T MINI P

20W tunable LED profile spot

MiniP is a tiny 20W tunable COB LED profile spot. Die-casting housing, fan-free design. With 26° lens (optional 19°, 36°, 50°), and portable, track mount version selectable. It's an idea product for art gallery, Museum, Shopping mall.

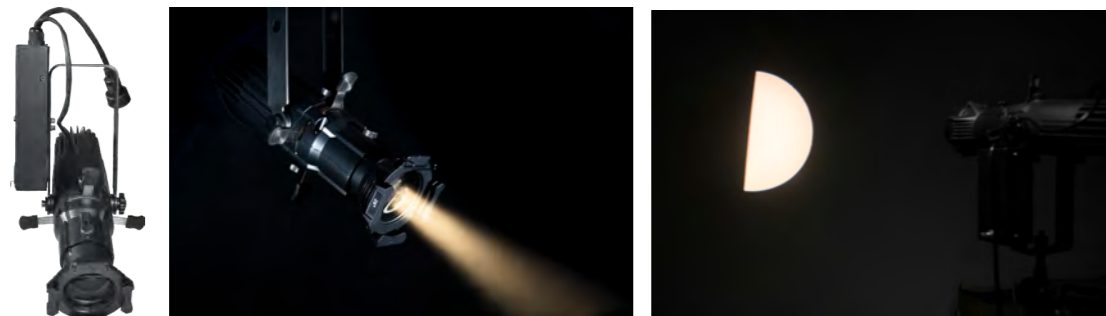
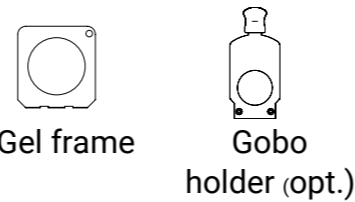
Key features:

- 20W WW + 20W CW constant COB LED
- 2700K - 6000K adjustable
- High CRI over 92
- Die-casting aluminum housing, fan-free
- 26° lens (optional 19°, 36°, 50°),
- Smooth dimming, flicker free
- Compact body, easy to set up
- Even wash of light

Application:

- Museum
- Theatre, church
- Shopping mall
- Art gallery
- Restaurant

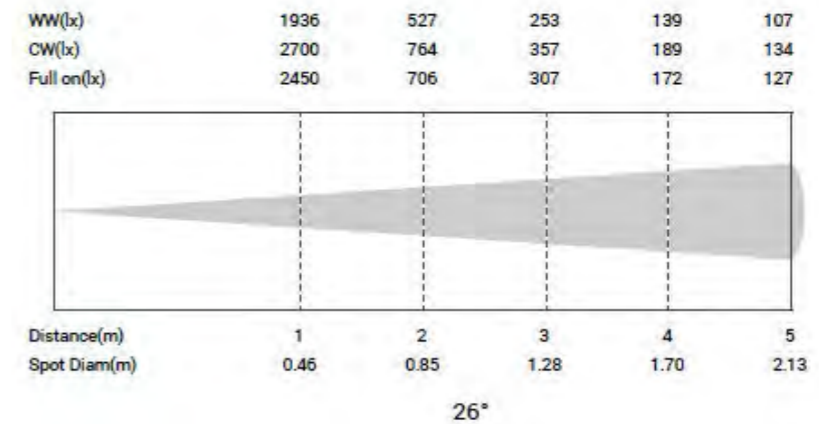
Accessories:



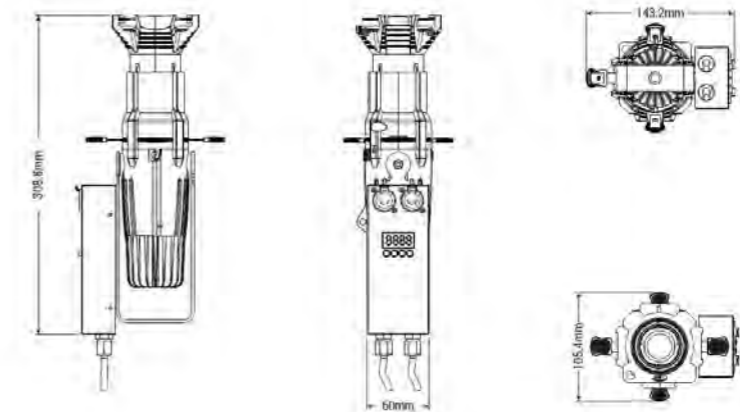
Parameter

Power supply:	AC100 - 240V, 50/60Hz	Control mode:	DMX, track mount version optional
Light source:	20W WW + 20W CW	Housing:	Color black, die-casting aluminum
Color temperature:	2700K - 6000K adjustable	Size:	343.7 x 133 x 131mm
Fixed lens:	26°(optional19°,36°,50°)	N.W.:	1.7 kg
Color Rendition:	CRI 92	Accessories(incl.):	Power cable, gel frame
Power connection:	Dedicated power in	Accessories(opt.):	Gobo holder E sized, Clamp, Safety rope
Signal connection:	5-pin XLR in & out	Environment:	IP20
Control channels	1/2/3/5		

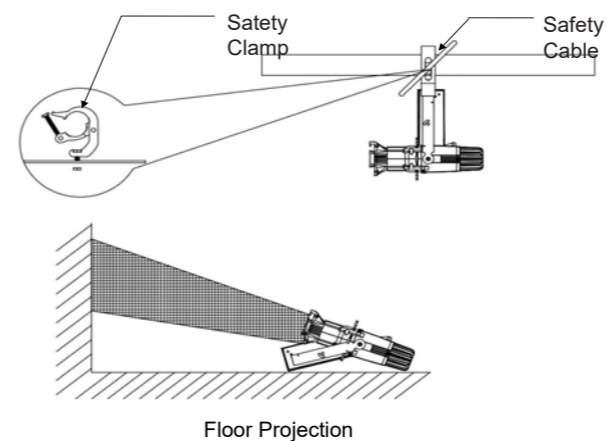
Photometric



Drawings



Installation modes



DMX Control connections

